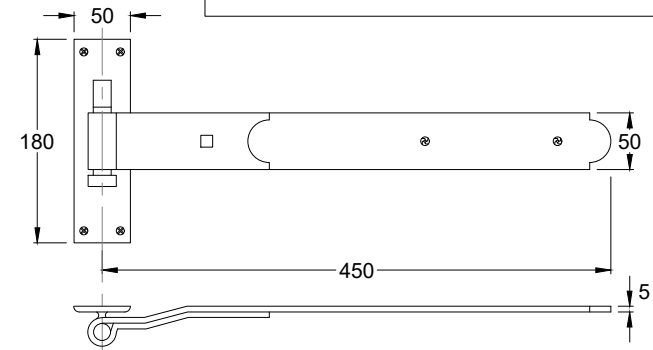
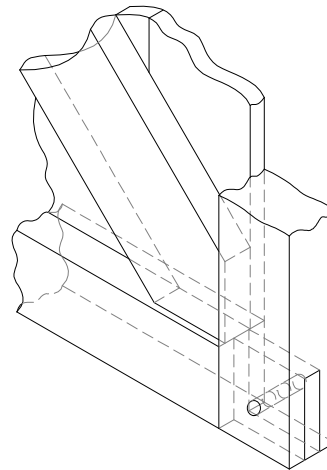
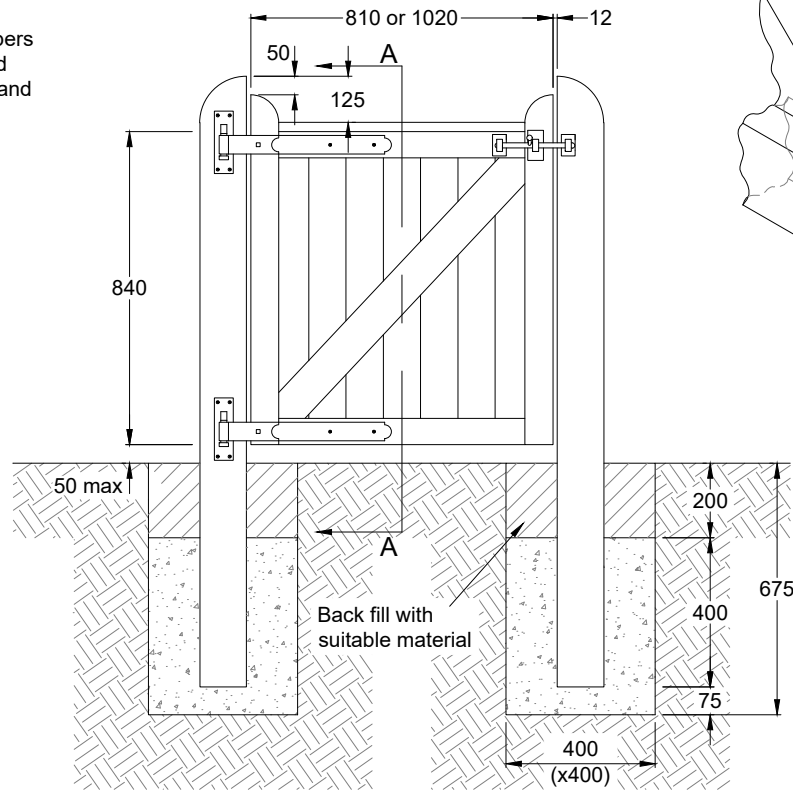


SECTION A-A



Notes:

1. All dimensions in millimetres unless otherwise stated.
2. All materials and construction to be in accordance with B.S. 4092 part 2 - 1966.
3. Timber sizes:
  - (a) Hanging stile 70x45
  - (b) Shutting stile 70x45
  - (c) Top and bottom rail 70x45
  - (d) Brace 70x25
  - (e) Infill 100x14 (or other approved)
  - (f) Weathered capping 70x25 (shaped to disperse water)
  - (g) Gate posts 125x125 (or if specified 100x100 precast reinforced concrete)
4. The tops of all vertical posts shall be shaped to disperse water.
5. All joints to be properly formed and glued for completion.
6. All timber to be primed before dispatch to site.
7. All metal fittings to be sherardized.
8. Hinges to be type 1A / 3105 cranked all as B.S. 1227 part 1A 1967 table 31M.
9. All posts to be vertical.
10. Insitu base concrete to be class GEN2.
11. Remainder of hole to be backfilled with suitable material and the surface made good to the Project Manager's satisfaction.
12. All posts to be erected abutting the highway / property boundary, within the property curtilage and the gates hung such that they always open into the property and away from the highway.



COUNTY HALL  
Pegs Lane  
Hertford, Herts  
SG13 8DN  
Phone: 01992 555555

Revisions

- A - AUG 23 UPDATED DETAIL  
B -  
C -

Drawing Title

TIMBER SINGLE TIMBER  
GARDEN GATE  
810mm - 1020mm  
CLEAR OPENING

Dwg No: HST/0300/006

Scale at A4 : N.T.S.

Drawn	Approved	Revised
RD	JE	
Checked STM	Date JULY '11	Date