

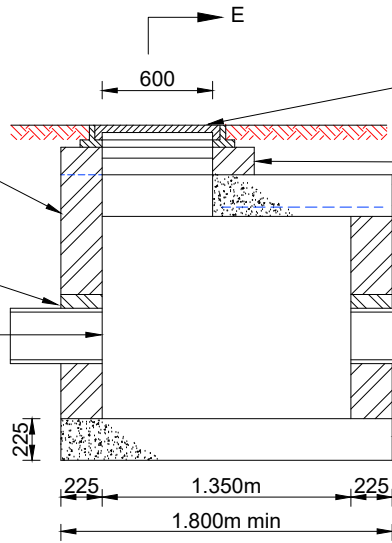
ALL DIMENSIONS ARE IN MILLIMETRES  
UNLESS OTHERWISE STATED

TYPICAL DETAILS OF BRICK CATCHPIT  
(Pipe diameter 100 - 450, depth to top of base slab 1.3m - 3.0m)

225 Class B engineering brickwork in Old English bond in Class 1 mortar to Clause 2404.

Half brick ring arch

Ends of pipes to be neatly built into brickwork and finished flush with Class 1 mortar to Clause 2404.



SECTION D - D

Manhole cover and frame bedded on mortar to Clause 2404.

Maximum 4 courses, minimum 2 courses Class B engineering bricks. Mortar and bedding material to Clause 2404.

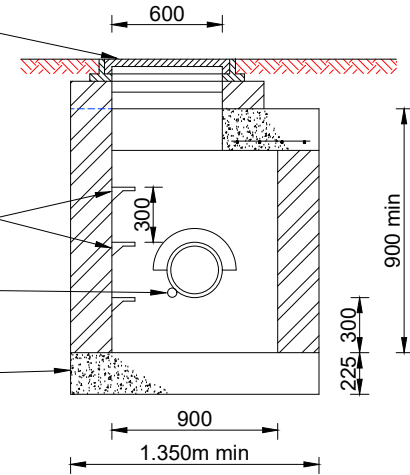
Reinforced concrete (GEN3) cover slab

B785 mesh

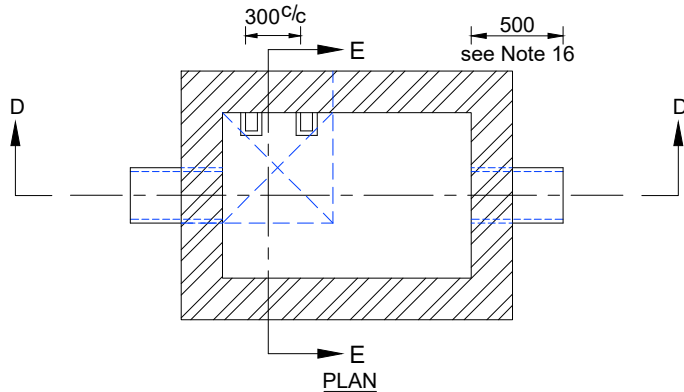
Base slab in concrete Class GEN3(16/20).

Galvanised step irons to BS EN 13101 staggered at 300 c/c

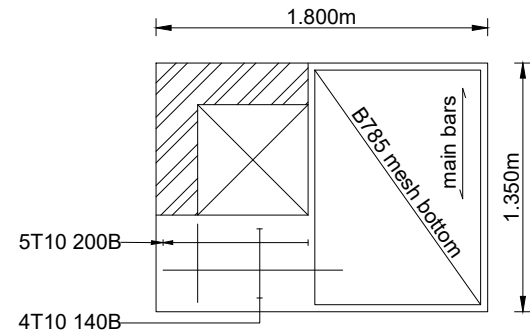
Weep hole



SECTION E - E



PLAN



COVER SLAB REINFORCEMENT



COUNTY HALL  
Pegs Lane  
Hertford, Herts  
SG13 8DN  
Phone: 01992 555555

Revisions

- A -
- B -
- C -

Drawing Title

CATCHPITS GROUP CP1  
BRICK CATCHPITS

Dwg No: HST/0500/002

Scale at A4 : N.T.S.

Drawn RD	Approved JE	Revised
Checked STM	Date JULY '11	Date