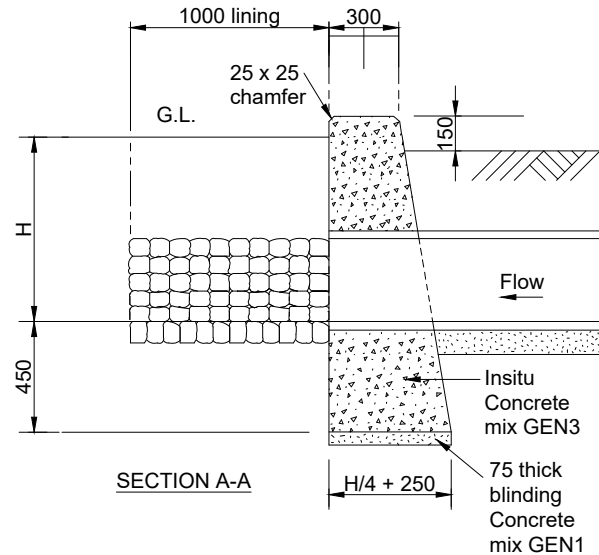
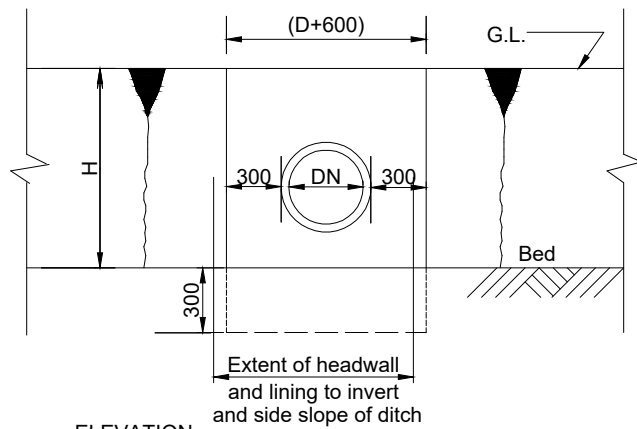


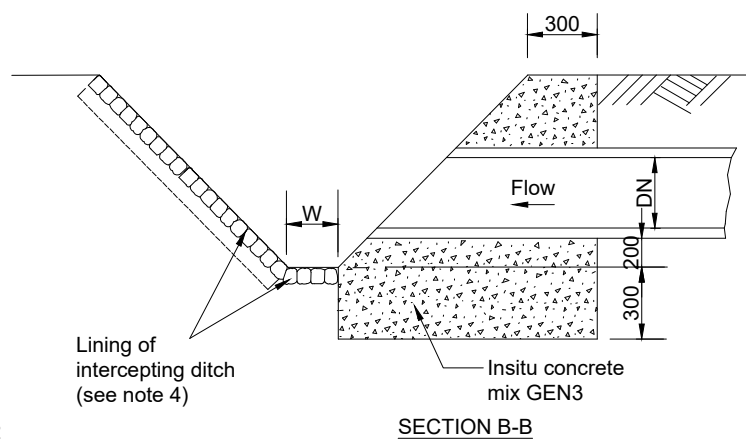
OUTFALL TYPE 1
ELEVATION
(Pipe and ditch in line)



SECTION A-A



OUTFALL TYPE 2
ELEVATION
(Pipe discharging through side of ditch)



SECTION B-B

Notes

1. Intercepting ditch profile as shown on Earthworks drawings, H = 800max. W = 250.
2. Pipe invert level and diameter as stated in pipe schedules.
3. Type and thickness of lining shall be as described in the Contract.
4. Exposed formed concrete surfaces to have Class F2 finish.
5. Unformed concrete surfaces to have Class U2 finish.
6. All dimensions are in millimetres unless otherwise stated



COUNTY HALL
Pegs Lane
Hertford, Herts
SG13 8DN
Phone: 01992 555555

Revisions

- A - AUG 23 UPDATED DETAIL
B -
C -

Drawing Title

SMALL HEADWALL
OUTFALL TYPES 1 AND 2
(INSITU CONCRETE)

Dwg No: HST/500/006

Scale at A4 : N.T.S.

Drawn	Approved	Revised
TJ	JE	
Checked	Date	Date
STM	JULY '11	