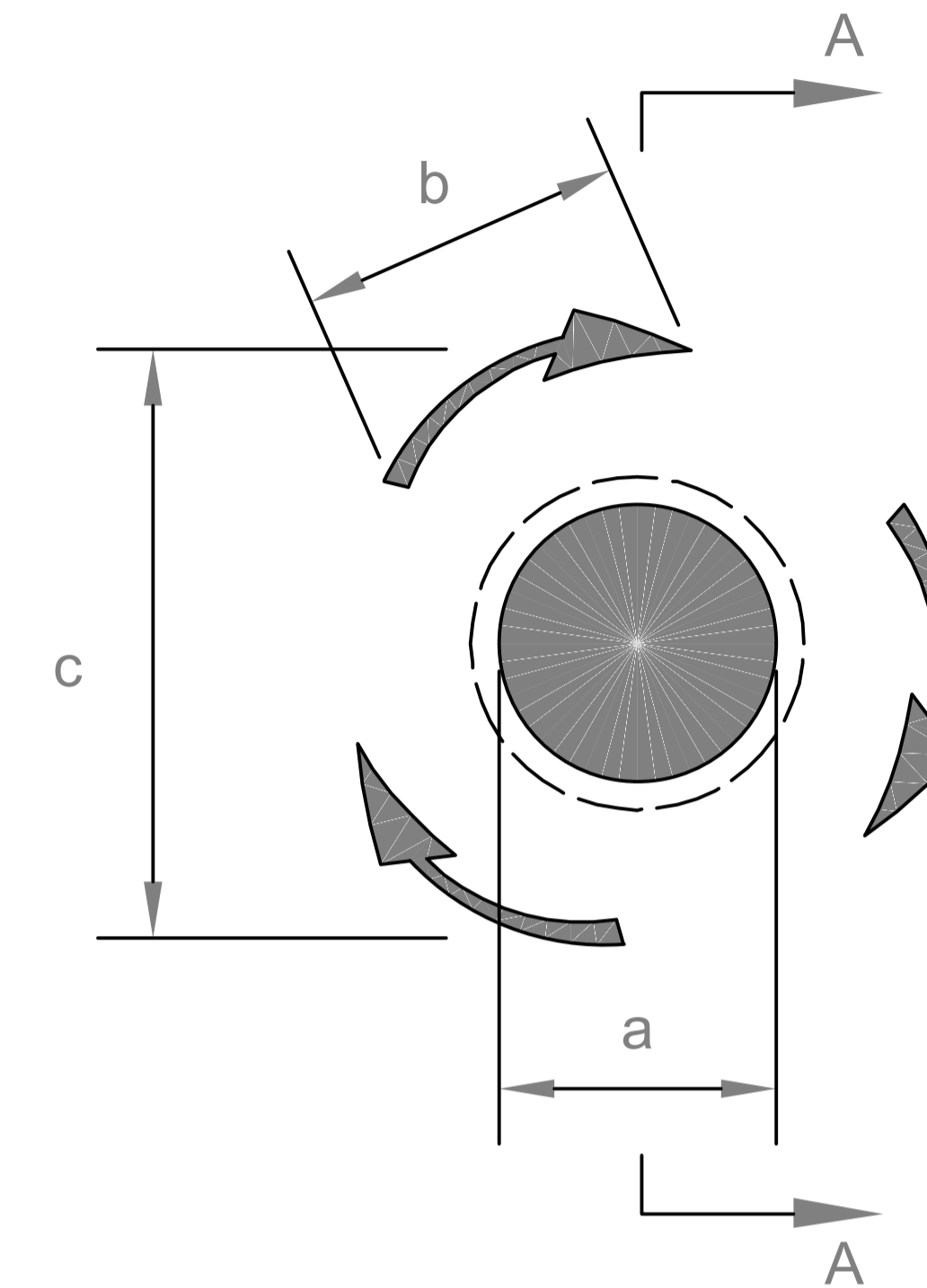


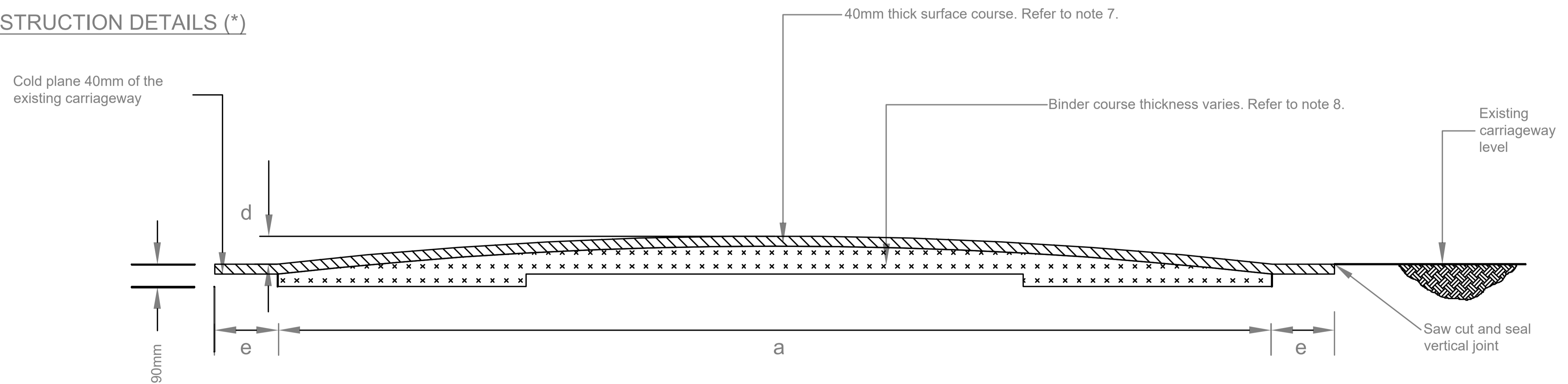
ROAD MARKINGS DETAILS

	a (mm)	b (mm)	c (mm)	d (mm)	e (mm)
Option 1	1000 min 2400 max	3025	3500 min 7000 max	flat (**) 75 max	300
Option 2	2500 min 4000 max	4450	5000 min 10000 max	75 min 125 max	300

(*): See note No.3
(**): See note No.2



SECTION A-A CONSTRUCTION DETAILS (*)



NOTES:

- Maximum dome height of 125mm at the centre for a 4m diameter island. For smaller islands the height should be reduced pro-rata.
- For diameters below 2.0 metres the mini roundabout should be flat.
- Where flat mini roundabout required, only the carriageway markings should be applied and cross section A-A ignored.
- Carriageway markings to be in accordance with "The Traffic Signs Regulations and General Directions 2016" diagram 1003.4.
- Carriageway markings to be laid in accordance with "The Traffic Signs Regulations and General Directions 2016".
- Carriageway markings to be laid in white thermoplastic screed with applied solid glass beads unless stated otherwise.
- The Surface Course is to be 40mm thick HRA 30/14 F SURF 40/60 rec to Cl.910 of SHW.
- The Binder Course is to be AC 20 dense 40/60 rec to Cl.907 of SHW.

Rev	Date	Description of Revisions	Drawn	Chkd	Appr



Drawn	Designed	Checked	Approved	Approved Date	Project	Sheet
HH	HH	RT	STM	03/24	HST/0700/005 STANDARD DETAIL DRAWING	MINI ROUNDABOUT CONSTRUCTION DETAILS
Signature	Signature	Signature	Signature	Scale(s)	Project No.	Sheet No.
HH	HH	RT	STM	NTS	HST/0700/005	01