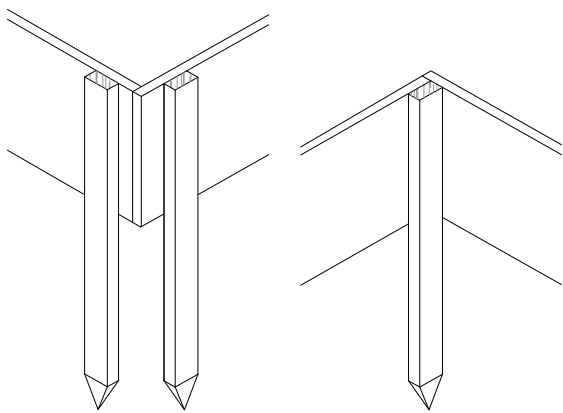
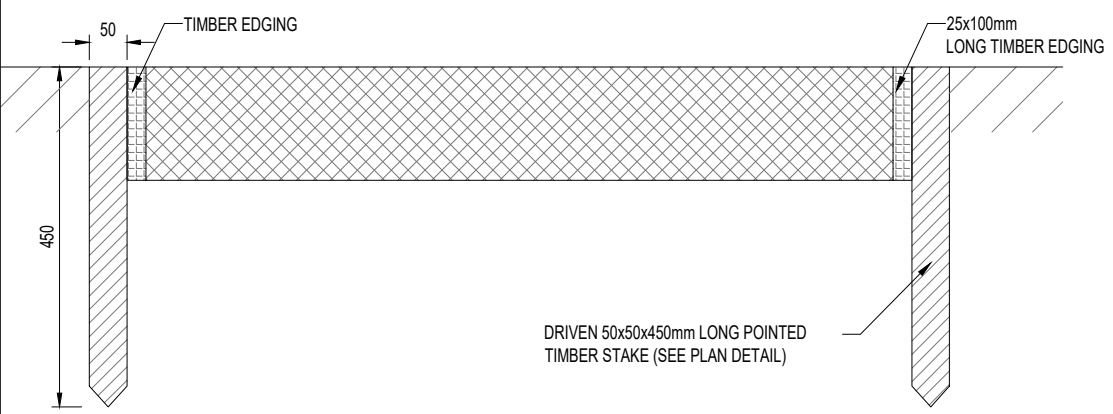


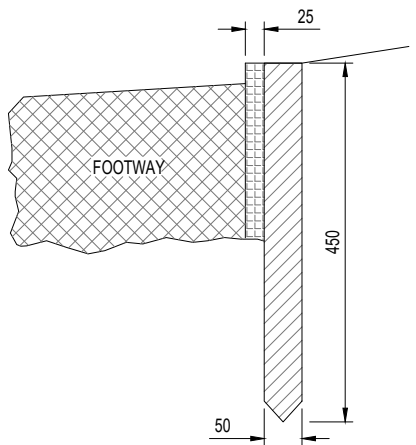
**PLAN**  
(SCALE 1:10)



**TIMBER EDGING AT CORNERS**



**ELEVATION**  
(SCALE 1:10)



**SECTION**  
(SCALE 1:10)

**NOTES:**

1. ALL DIMENSIONS ARE IN MILLIMETRES UNLESS STATED OTHERWISE.
2. KERB FACE TO BE LAID FLUSH OR AS INSTRUCTED OTHERWISE.
3. ALL TIMBER PRODUCTS TO BE TANALISED LARCH TO BS 5589.
4. WHERE KERBING IS BE LAID TO A RADIUS, THEN PEGGING WILL BE REQUIRED AT THE FRONT OF THE TIMBER EDGING TO 'PULL' THE REQUIRED RADIUS.
5. ALL TIMBER SHALL BE COMPLY WITH SHW CLAUSE 304 UNLESS OTHERWISE STATED.
6. STAKES SHALL BE DRIVEN AT NOT GREATER THAN 1000MM CENTRES AND EDGING TIMBER SHALL BE FIXED TO EACH TAKE BY 2 NO. 80 LONG GALVANISED NAILS.
7. WHERE FOOTPATH ROUTING IS IN VICINITY OF TREES APPROPRIATE MEASURE SHALL BE UNDERTAKEN IN ACCORDANCE WITH BS5837.
8. TIMBER FOR PATH EDGING AND STAKES SHALL BE LARCH OR DOUGLAS FIR PRESERVED IN COMPLIANCE WITH CLAUSE 311.
9. EDGING LEVELS ARE SCHEDULED IN APPENDIX 11/1. WHERE BOTH EDGING LEVELS ARE THE SAME THE FOOTWAY SHALL BE FORMED WITH A CENTRAL CAMBER FALLING 2.5% TO EITHER SIDE.



COUNTY HALL  
Pegs Lane  
Hertford, Herts  
SG13 8DN  
Phone: 01992 555555

**Revisions**

A -	FEB 20	REVISED DETAIL
B -		
C -		

**Drawing Title**

TIMBER EDGING  
KERB DETAILS

Dwg No: HST/1100/010

Scale at A4 : 1:10

Drawn	Approved	Revised
YS	HH	A
Checked	Date	Date
KK	JULY 11	FEB 20