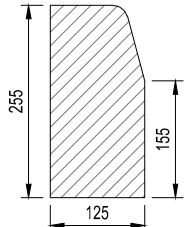
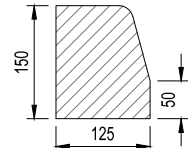


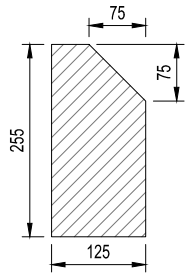
**HALF BATTED KERB**  
(TYPE HB1)  
(SCALE 1:10)



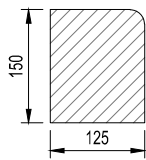
**HALF BATTED KERB**  
(TYPE HB2)  
(SCALE 1:10)



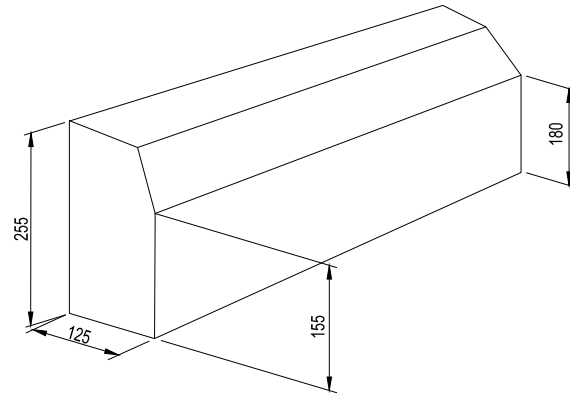
**HALF BATTED KERB**  
(TYPE HB3)  
(SCALE 1:10)



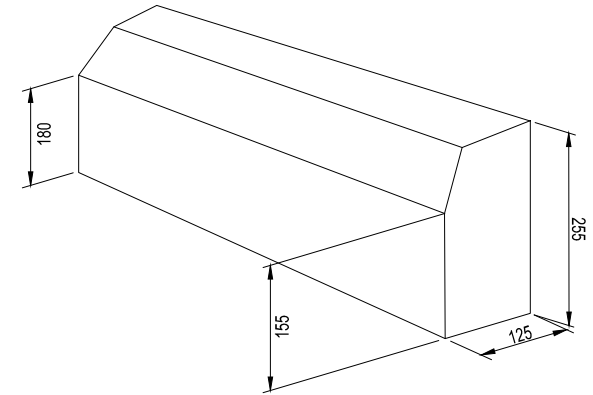
**SPLAYED KERB**  
(TYPE SP)  
(SCALE 1:10)



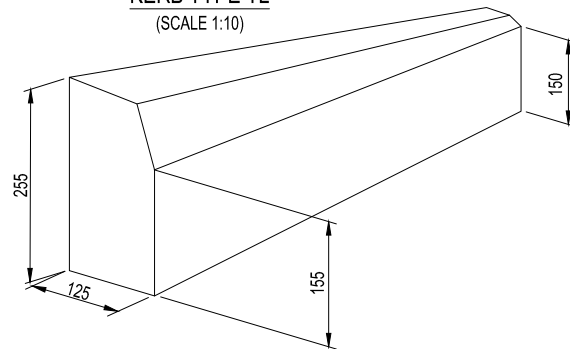
**BULLNOSED KERB**  
(TYPE BN)  
(SCALE 1:10)



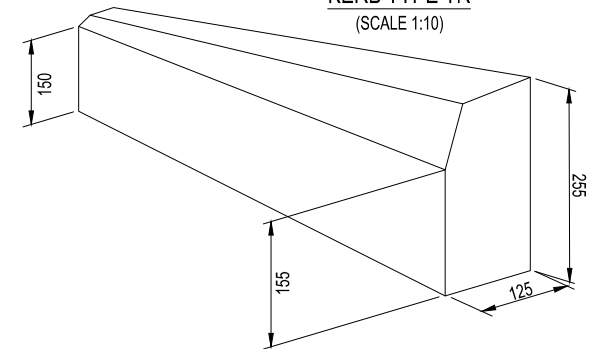
**KERB TYPE TL**  
(SCALE 1:10)



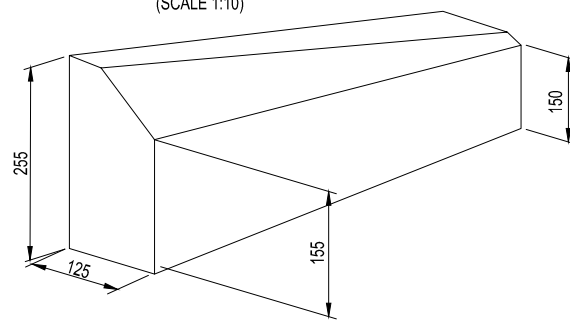
**KERB TYPE TR**  
(SCALE 1:10)



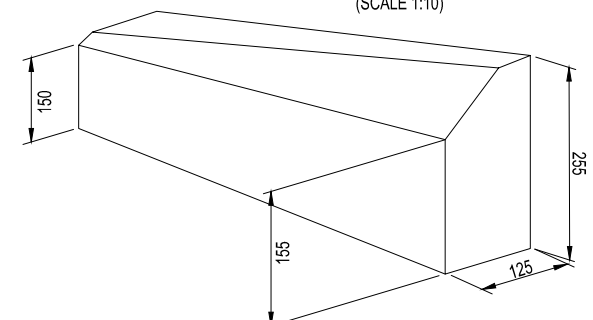
**KERB TYPE DL1**  
(SCALE 1:10)



**KERB TYPE DR1**  
(SCALE 1:10)



**KERB TYPE DL2**  
(SCALE 1:10)



**KERB TYPE DR2**  
(SCALE 1:10)



COUNTY HALL  
Pegs Lane  
Hertford, Herts  
SG13 8DN  
Phone: 01992 555555

Revisions

- A - FEB 20 REVISED DETAIL
- B -
- C -

Drawing Title

PRECAST CONCRETE  
TRANSITION KERB DETAIL

Dwg No: HST/1100/040

Scale at A4 : 1:10

Drawn	Approved	Revised
YS	HH	A
Checked	Date	Date
KK	JULY 11	FEB 20