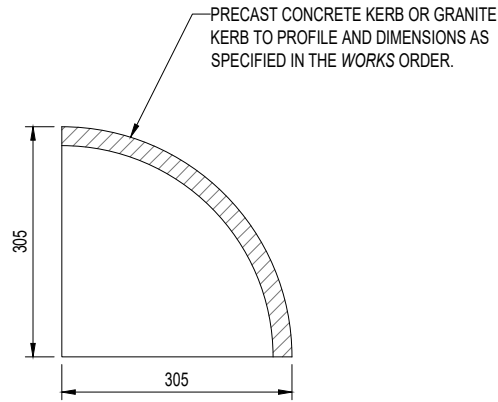
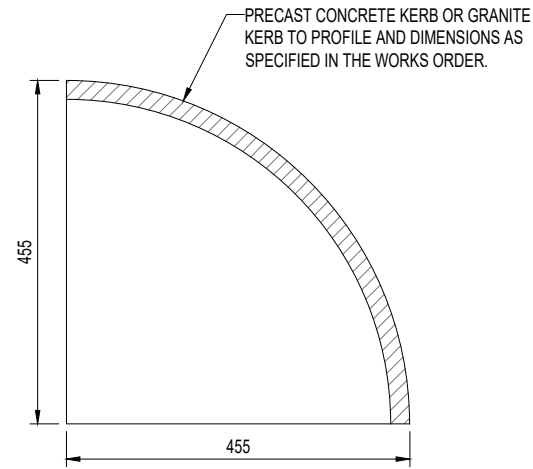


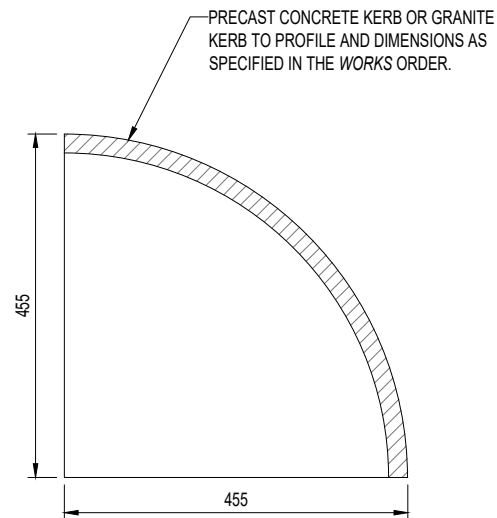
QUADRANT TYPE Q1
(SCALE 1:10)



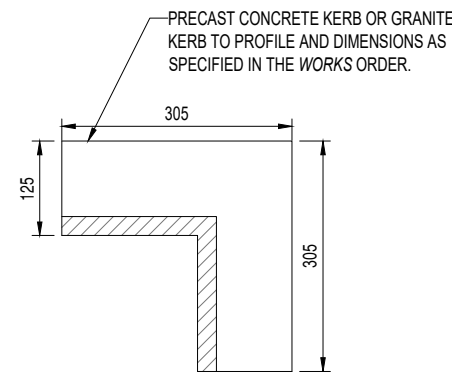
QUADRANT TYPE Q2
(SCALE 1:10)



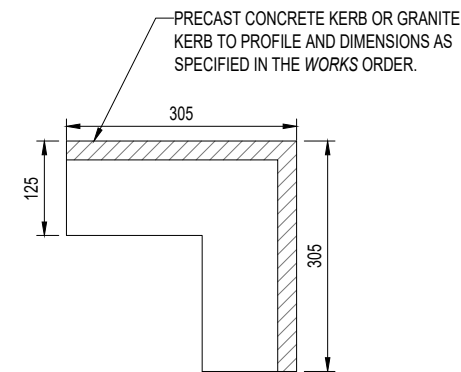
QUADRANT TYPE Q3
(SCALE 1:10)



QUADRANT TYPE Q3
(SCALE 1:10)



INTERNAL ANGLE KERB
(TYPE K8)
(SCALE 1:10)



EXTERNAL ANGLE KERB
(TYPE K9)
(SCALE 1:10)

NOTES:

1. ALL DIMENSIONS ARE IN MILLIMETRES UNLESS STATED OTHERWISE.
2. ALL PRECAST CONCRETE QUADRANTS AND ANGLES SHALL BE LAID TO BS EN 1340. AND LAID TO BS 7533-6.
3. THE KERB UPSTAND SHALL BE 125mm UNLESS OTHERWISE SPECIFIED OR AS DIRECTED BY THE ENGINEER.
4. THE KERB FOUNDATION AND BACKING SHALL BE TO CLAUSE GEN2 TO CLAUSE 2602.
5. MORTAR BED PREPARATION AND LAID TO CLAUSE 2601.
6. SUITABLE TRANSITION KERBS SHALL BE USED FOR ALL DROP KERB AND UPSTANDS VARIATION LOCATIONS.
7. SUITABLE QUADRANT KERBS SHALL BE USED TO FORM CORNERS OF SQUARE AREAS AND REFUGE ISLANDS.



COUNTY HALL
Pegs Lane
Hertford, Herts
SG13 8DN
Phone: 01992 555555

Revisions

- | | | |
|-----|--------|----------------|
| A - | FEB 20 | REVISED DETAIL |
| B - | AUG 23 | UPDATED DETAIL |
| C - | | |

Drawing Title

PRECAST CONCRETE QUADRANTS
AND ANGLES

Dwg No: HST/1100/041

Scale at A4 : 1:10

Drawn	Approved	Revised
YS	HH	A
Checked	Date	Date
KK	JULY 11	FEB 20