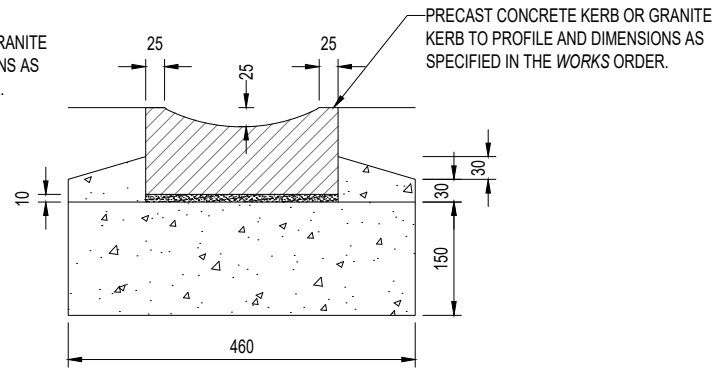


**CHANNEL TYPE CD1**  
(SCALE 1:10)



**CHANNEL TYPE CD2**  
(SCALE 1:10)

**NOTES:**

1. ALL DIMENSIONS ARE IN MILLIMETRES UNLESS STATED OTHERWISE.
2. ALL PRECAST CONCRETE CHANNEL SHALL BE LAID TO BS EN 1340. AND LAID TO BS 7533-6
3. PRECAST CONCRETE CHANNELS TO SPECIFICATION CLAUSE 1101.
4. CHANNEL FOUNDATION AND BACKING SHALL BE TO CLAUSE GEN2 TO CLAUSE 2602.
5. MORTAR BED SHALL BE LAID TO CLAUSE 2601.
6. THE SEALANT SHOULD BE TO CLAUSE 1017.
7. CHANNEL BLOCK TO BE USED WHERE GRADIENT IS FLATTER THAN 1:150.
8. CUTTING OF KERB AND CHANNELS SHALL BE BY APPROVED MECHANICAL MEANS.
9. WHERE CHANNEL BLOCKS ARE LAID TO FALSE FALLS THE KERB FACE MUST BE 100 MIN-150 MAX.



COUNTY HALL  
Pegs Lane  
Hertford, Herts  
SG13 8DN  
Phone: 01992 555555

**Revisions**

- |     |        |                |
|-----|--------|----------------|
| A - | FEB 20 | REVISED DETAIL |
| B - | AUG 23 | UPDATED DETAIL |
| C - |        |                |

**Drawing Title**

PRECAST CONCRETE  
CHANNEL TYPE

Dwg No: HST/1100/042

Scale at A4 : 1:10

Drawn	Approved	Revised
YS	HH	A
Checked	Date	Date
KK	JULY 11	FEB 20