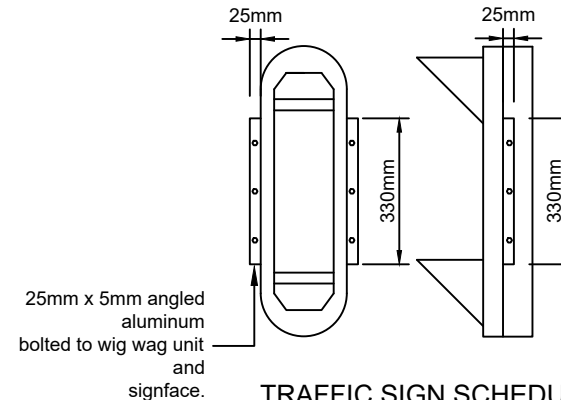
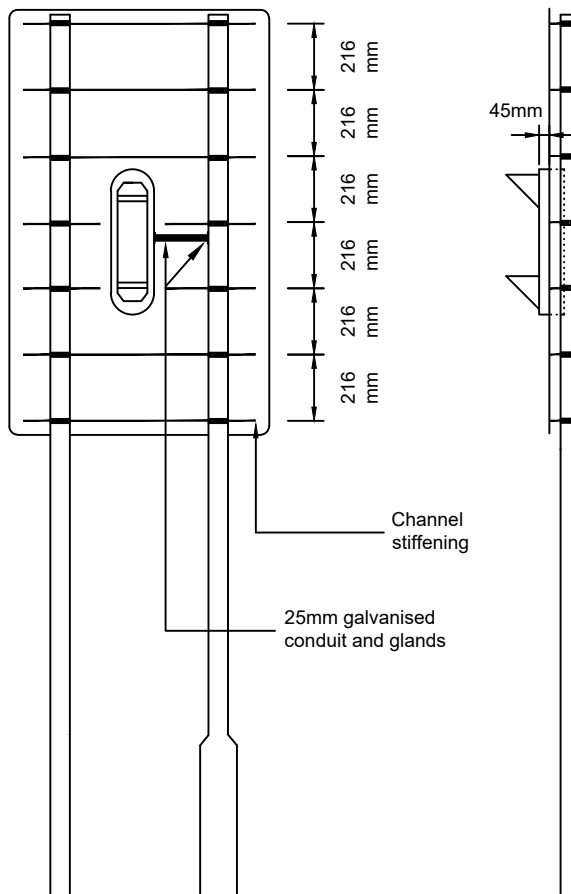


Panel Detail	
Text	Black
Backgrnd	White
Border	Black
'x' Height	62.5
Length	850mm
Height	360mm
Area	0.31sq.m



**TRAFFIC SIGN SCHEDULE**

Scheme Ref.		
Sign Reference		'x'-height -
Letter colour	-	SIGN FACE
Background	YELLOW	Width 1175mm
Border	-	Height 1925mm
Material	Class Ref 2	Area 2.26sq.m
METHOD OF MOUNTING		
Mounting Height (mm)	1800 Verge, 2300 F'way, 2400 Cycle way	
ILLUMINATION	Lantern:	-
	No. Of:	-
	Photo Cell:	-
POSTS N.B. Post Length includes root depth see Drg No HST/1200/002-3.	Spacing:	700 mm
	Type:	Large Base
	Diameter:	114 mm
	Length:	5000 mm
	No. Of:	2
FOUNDATIONS see Drg No HST/1200/002-3,4/5	Length:	mm
	Width:	mm
	Depth:	mm

NOTE: REC/HCC service is to be located in large base post furthest from carriageway.

Notes	IWP No. N/A				Drg. No. HST/1200/010		Rev. -												
	<table border="1"> <tr> <td>CAD</td> <td>Drawn</td> <td>Checked</td> <td>Approved</td> </tr> <tr> <td>Initials</td> <td>PB</td> <td>PB</td> <td>SJR</td> </tr> <tr> <td>Date</td> <td>JULY'11</td> <td>JULY'11</td> <td>JULY'11</td> </tr> </table>				CAD	Drawn	Checked	Approved	Initials	PB	PB	SJR	Date	JULY'11	JULY'11	JULY'11	Project Title HCC STANDARD DETAIL DRAWINGS		
	CAD	Drawn	Checked	Approved															
	Initials	PB	PB	SJR															
	Date	JULY'11	JULY'11	JULY'11															
Sht No. 1 OF 1				Drawing Title SCHOOL SAFETY DRAWING															
Scales NTS																			
A Various drawing revisions		-	-	-	-	-													
Description		Dwn	Chk	App	Date														

  
**COUNTY HALL**  
 Pegs Lane  
 Hertford, Herts  
 SG13 8DN  
 Phone: 01992 555555