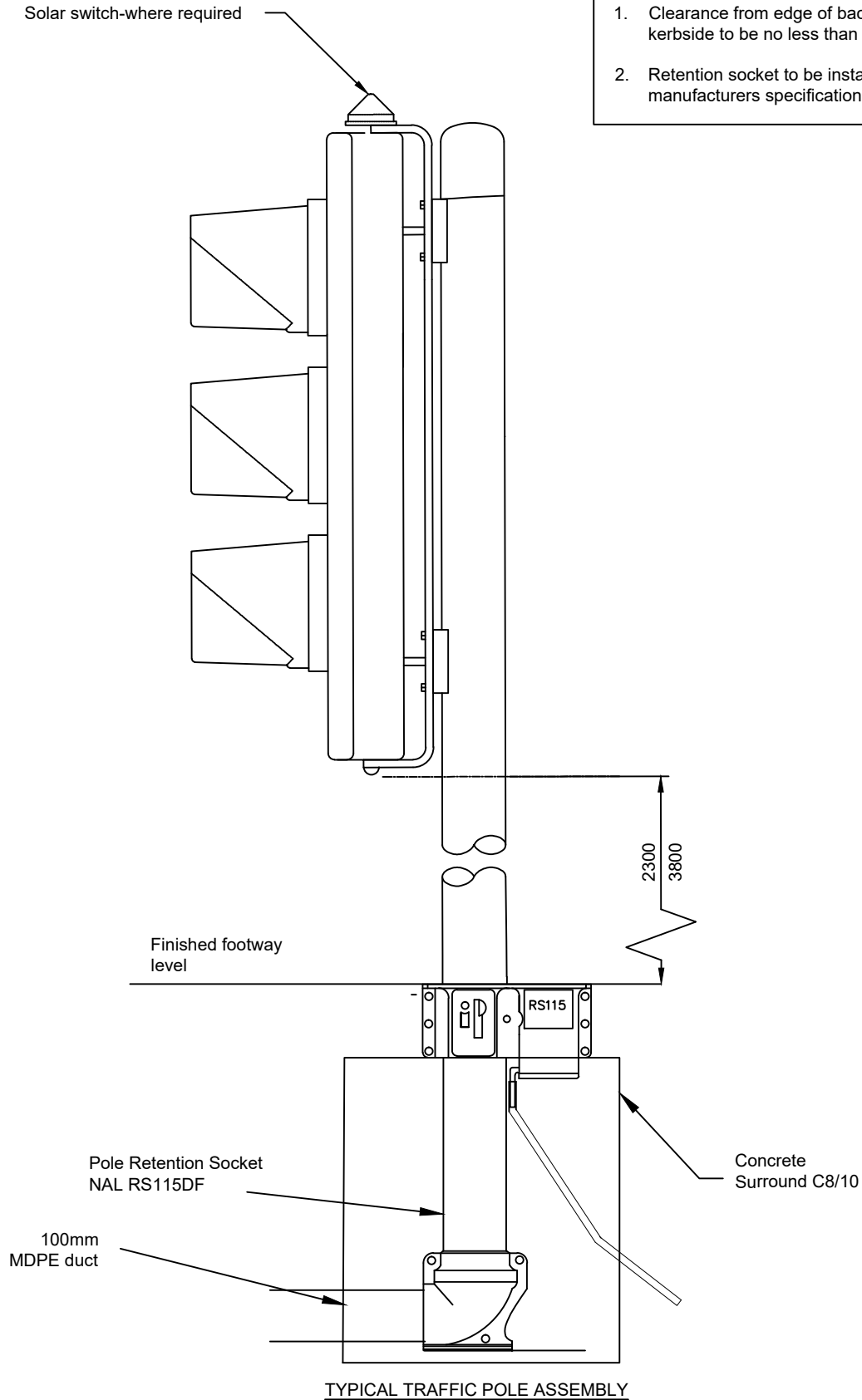


NOTES:

1. Clearance from edge of backing board to kerbside to be no less than 450mm.
2. Retention socket to be installed as per manufacturers specification.



IWP No.		Drg. No.		HST-1200-501		Rev.		-	
Revisions with Dates				Project Title					
				HCC STANDARD DETAIL DRAWINGS					
A Drawing revisions				Drawing Title					
Rev Description				TYPICAL POLE ASSEMBLY					
CAD		Drawn		Checked		Approved		Sheet. No.	
GW		GW		CJG		AJM		1 of 1	
Initials		Scales		NTS					
Date		07/11		07/11		07/11			


 COUNTY HALL
 Pegs Lane
 Hertford, Herts
 SG13 8DN
 Phone: 01992 555555