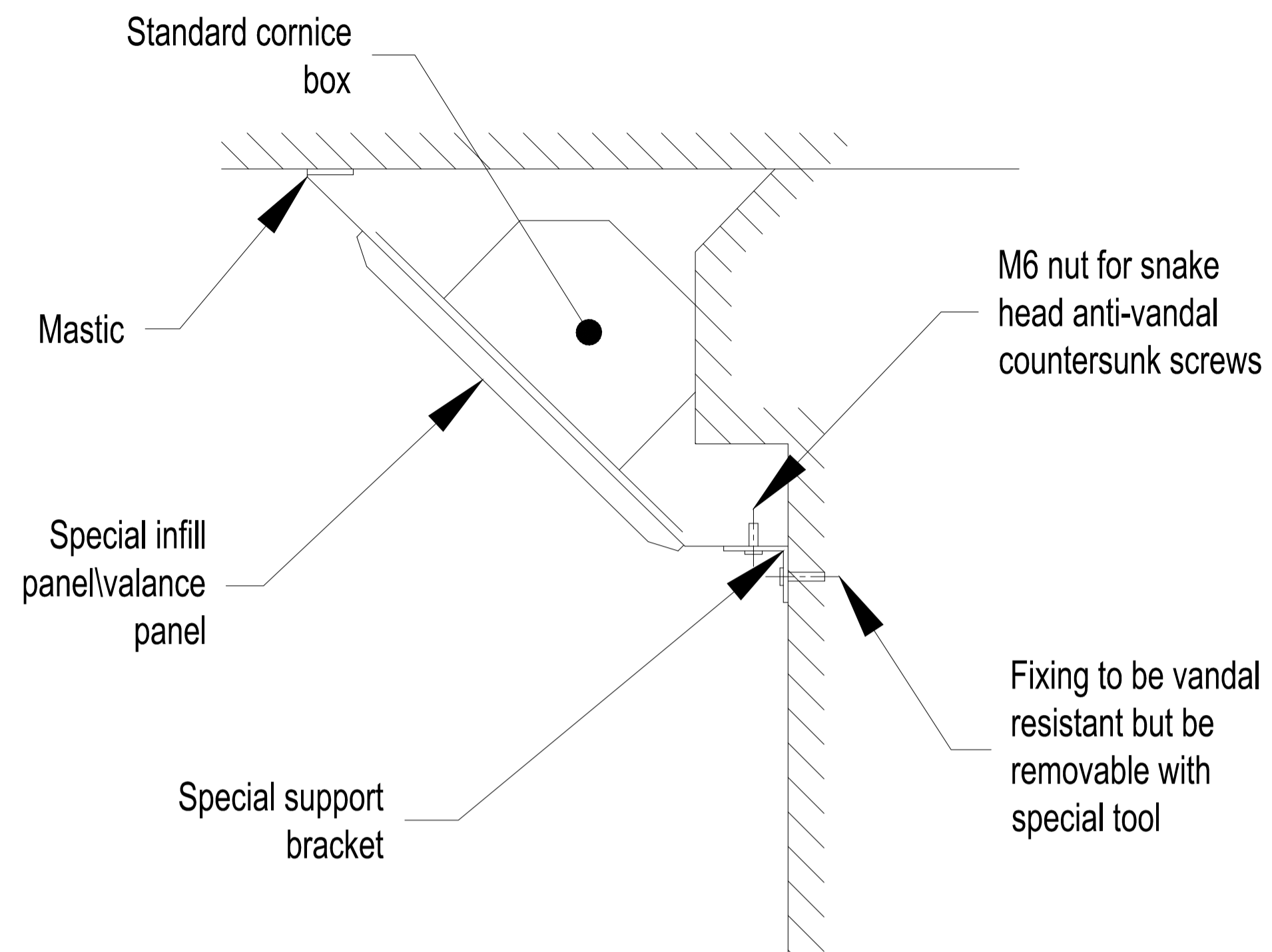


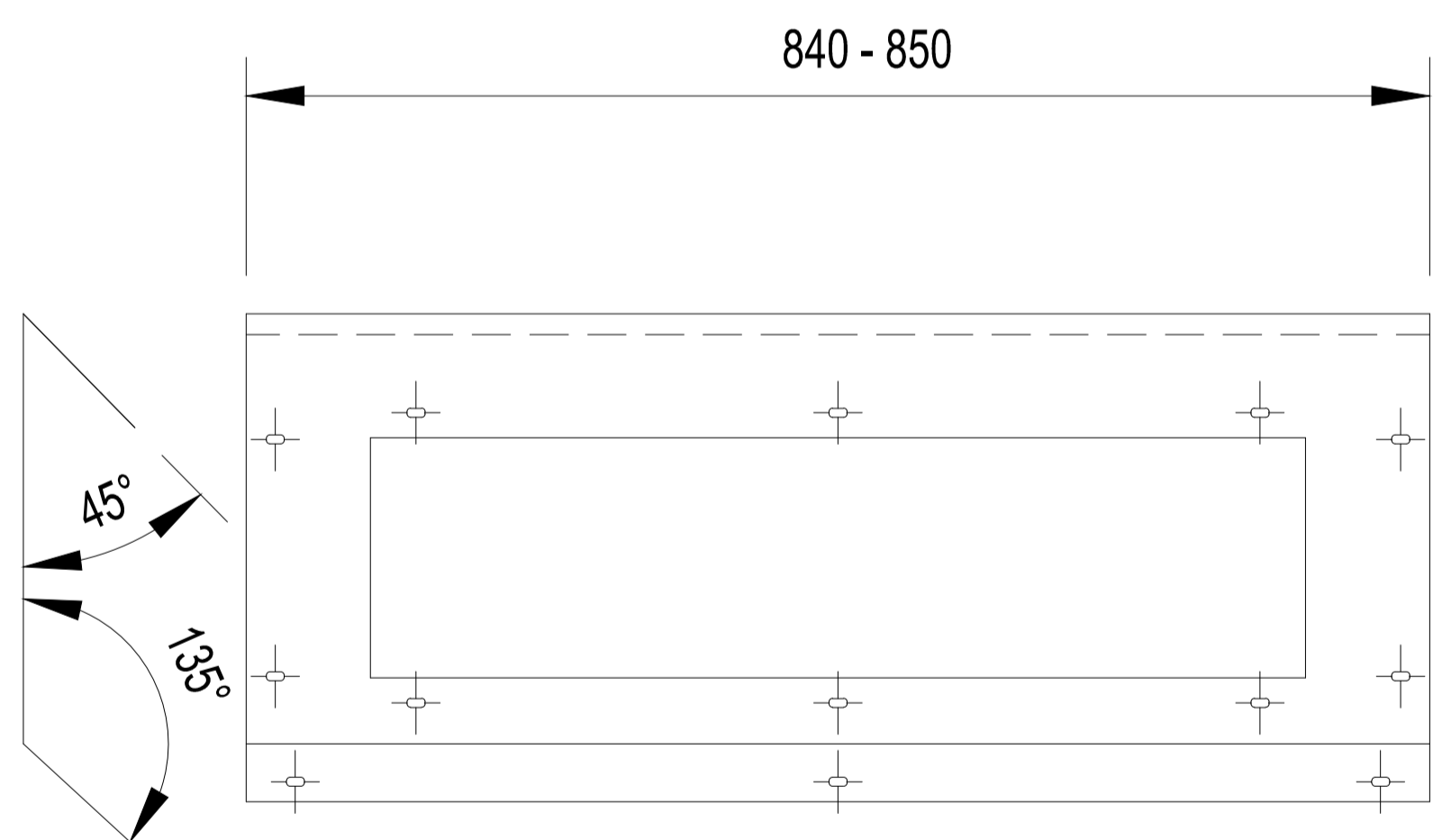
Note
End cap profile to suit subway

2 No. holes to suit
M6 sheet nut

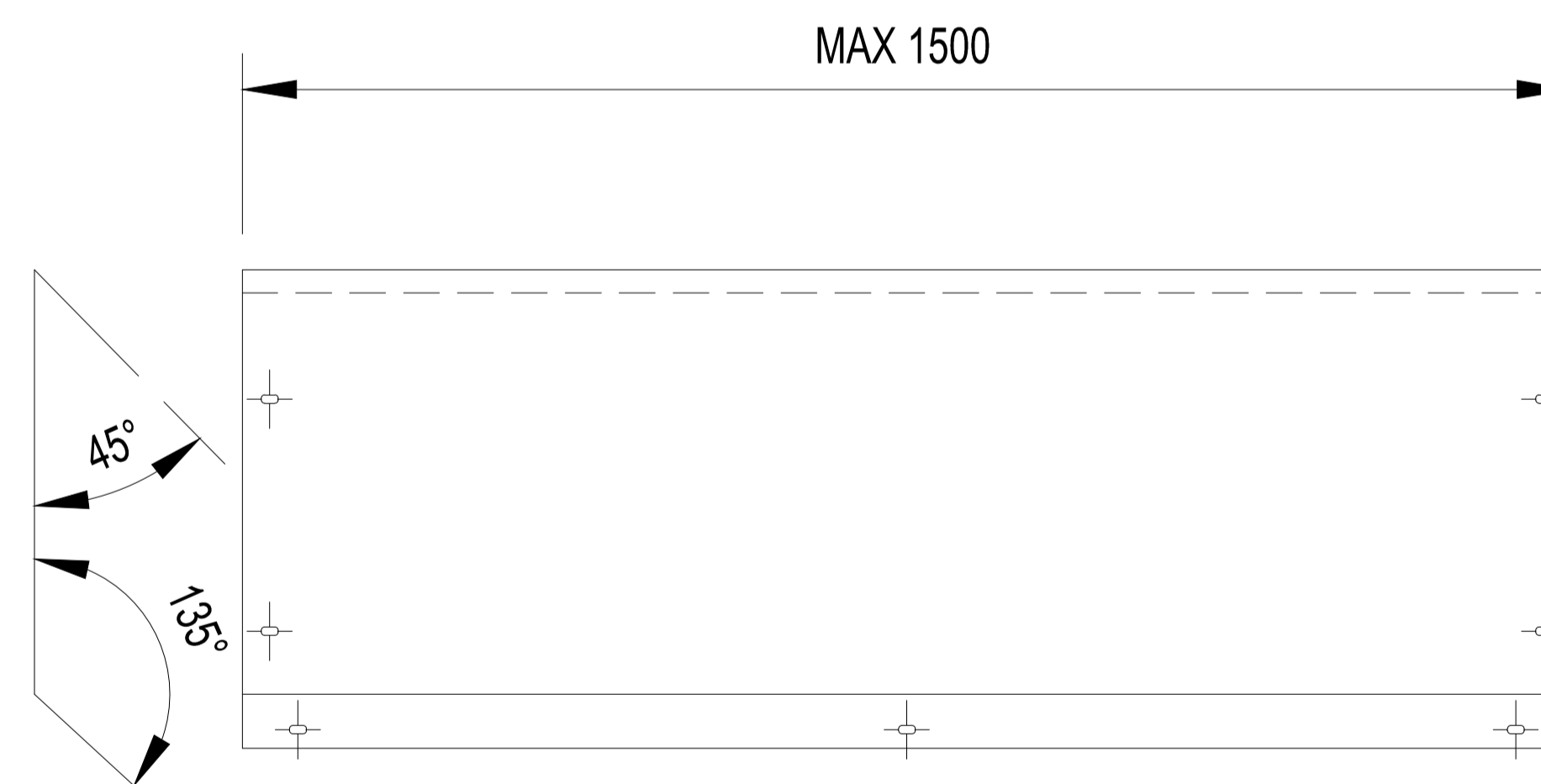
SPECIAL END CAP



SPECIAL CORNICE SYSTEM INSTALLATION



SPECIAL VALANCE PANEL



SPECIAL INFILL PANEL

Notes

A	Various drawing revisions	AS	RC	DOK	06/21
	Description	Dwn	Chk	App	Date

IWP No.					N/A				
	CAD	Drawn	Checked	Approved	Project Title				
Initials	PB	PB	ADS	PW	HCC STANDARD DETAIL DRAWINGS				
Date	04/10	04/10	04/10	04/10	Drawing Title				
Sht No.					1 OF 1				
Scales					NTS				

Drg. No.		HST-1300-017		Rev.		A	
Project Title							
HCC STANDARD DETAIL DRAWINGS							
Drawing Title							
SPECIAL CORNICE SYSTEM							

