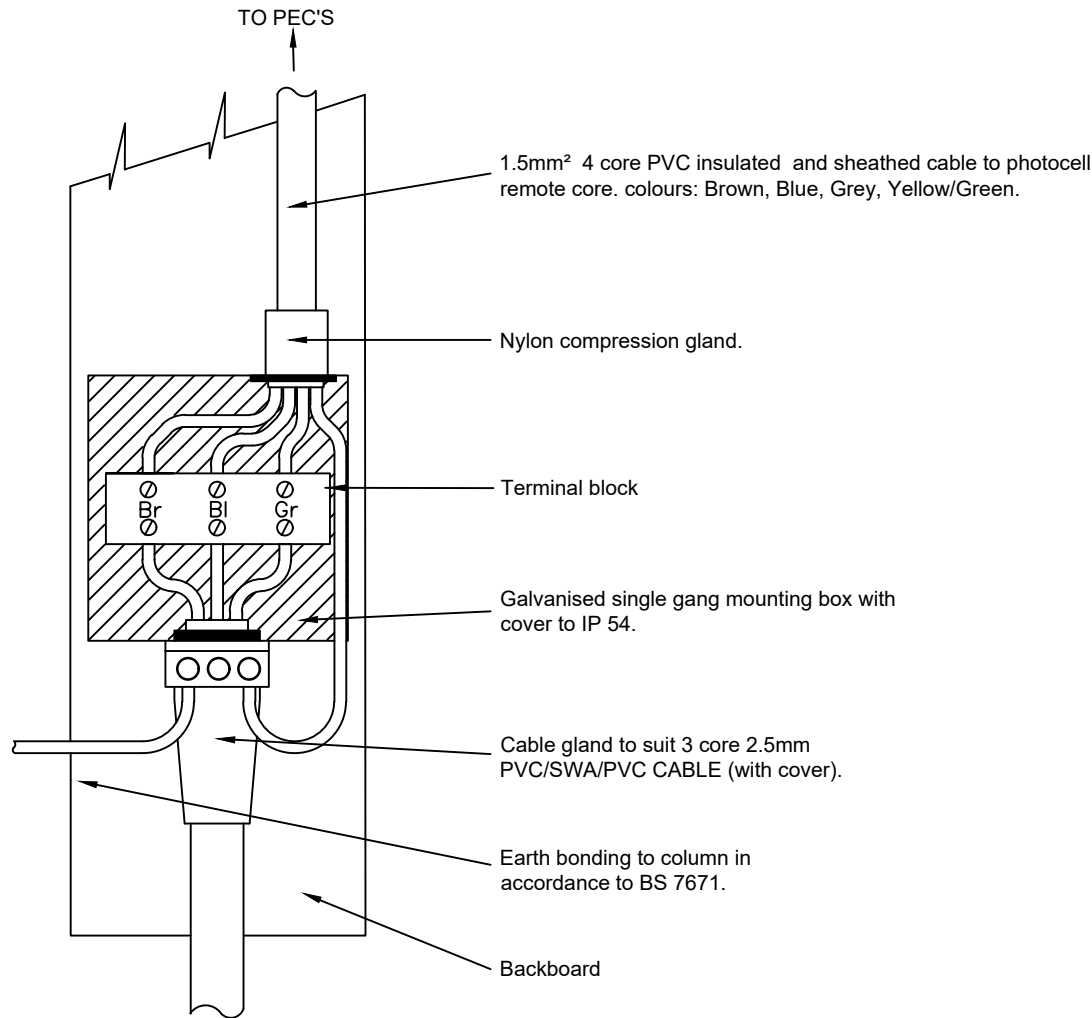
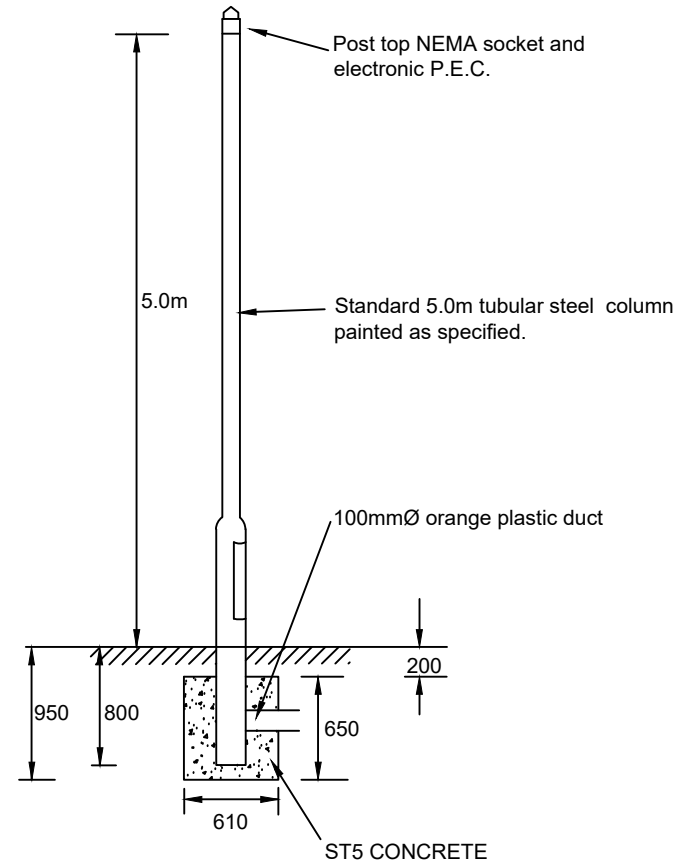


NOTE
All dimensions are in millimetres unless stated otherwise



TERMINATION DETAIL



CONTROL COLUMN DETAIL



COUNTY HALL
Pegs Lane
Hertford, Herts
SG13 8DN
Phone: 01992 555555

Revisions

- A -
- B -
- C -

Drawing Title

SINGLE PHASE
PHOTOCELL COLUMN
(ONLY FOR REPLACEMENTS
NOT USED FOR NEW INSTALLATIONS)

Dwg No: HST/1400/017

Scale at A4 : N.T.S.

Drawn	Approved	Revised
PB	ADS	-
Checked	Date	Date
FPL	JULY '11	-