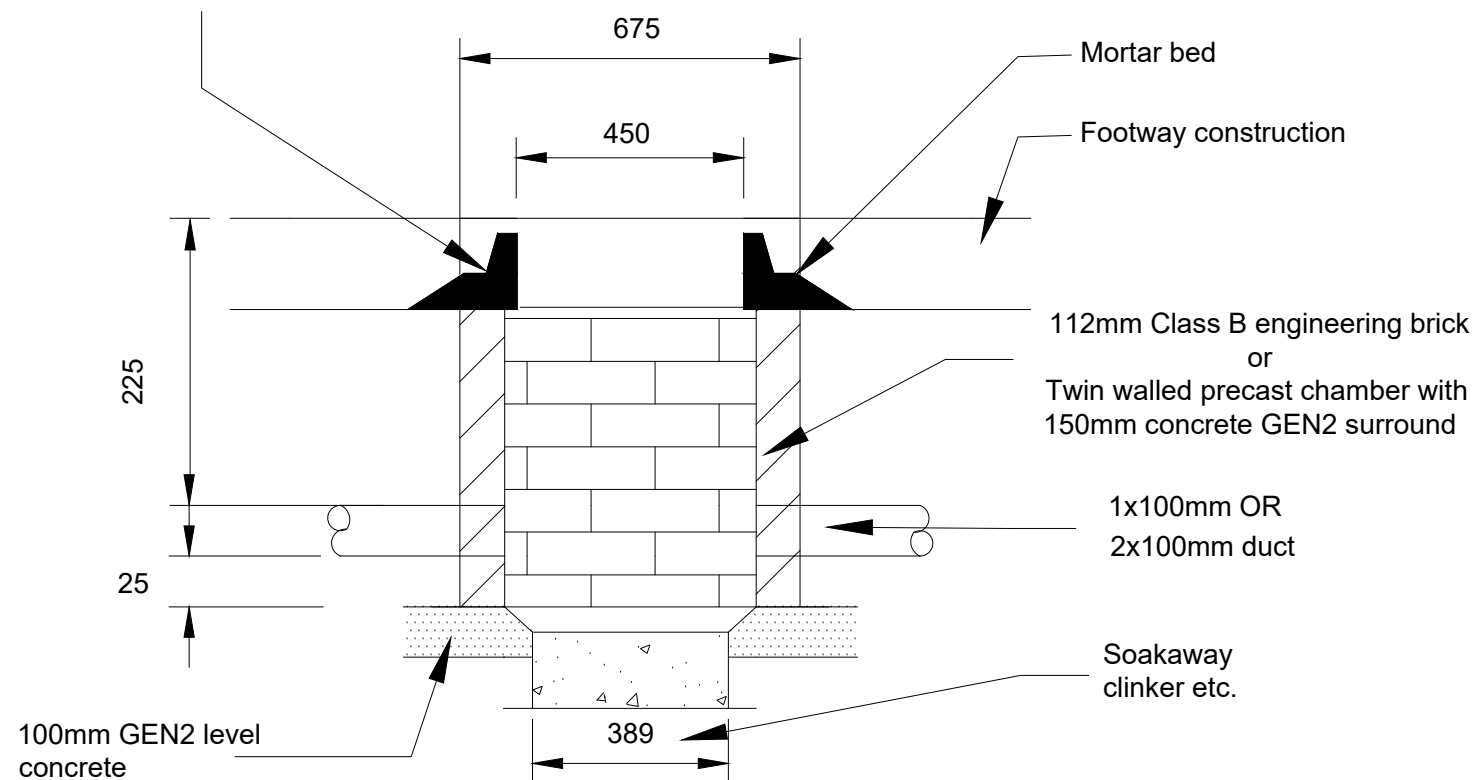


Cast iron pit cover and frame to BS EN 124. grade B125.



NOTE

1. ALL DIMENSIONS ARE IN MILLIMETRES.
2. CONTACT HCC STRUCTURES DEPARTMENT FOR DETAILED DESIGN OF DUCTING PRIOR TO ANY WORK COMMENCING.

Notes

A	Description	AS	RC	DOK	07/21
	Various drawing revisions				
	Description	Dwn	Chk	App	Date

IWP No.	CAD	Drawn	Checked	Approved
	PB	PB	ADS	PW
Date	01/10	04/10	04/10	04/10
Sht No.	1 OF 1			
Scales	NTS			

Drg. No.	HST-1400-036	Rev.	A
Project Title	HCC STANDARD DETAIL DRAWINGS		
Drawing Title	DUCT AND PIT DETAILS IN BRIDGE FOOTPATH		

COUNTY HALL
Pegs Lane
Hertford, Herts
SG13 8DN
Phone: 01992 555555