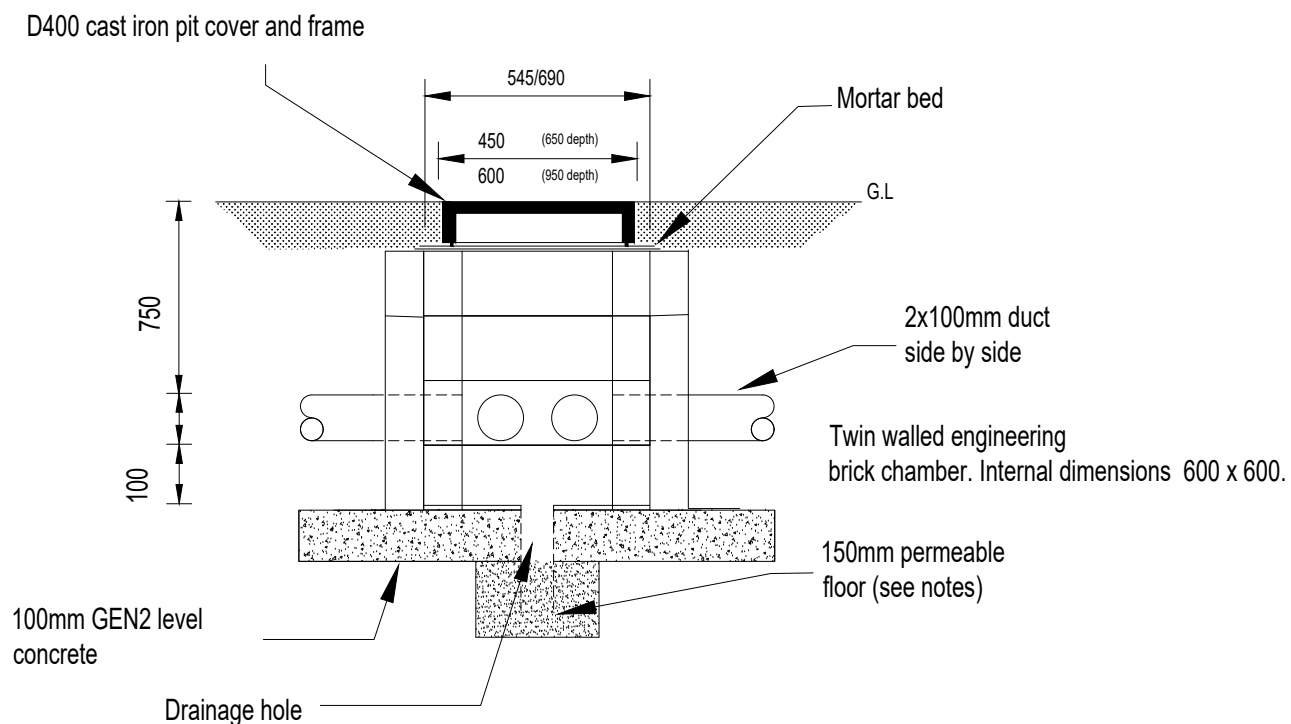


DETAIL OF PLASTIC CABLE PIT AND DUCT



DETAIL OF BRICK PIT AND DUCT

Notes

A	Description	AS	RC	DOK	07/21
	Description	Dwn	Chk	App	Date
	Various drawing revisions				

IWP No.					Drg. No.				
	CAD	Drawn	Checked	Approved	HST-1400-041				
Initials	AS	AS	RC	DOK	Project Title				
Date	07/21	07/21	07/21	07/21	HCC STANDARD DETAIL DRAWINGS				
Sht No.					Drawing Title				
1 OF 1					DUCT AND PIT DETAILS				
Scales					PLAN 3				
NTS									

Project Title		HCC STANDARD DETAIL DRAWINGS	
Drawing Title		DUCT AND PIT DETAILS	
		PLAN 3	

	COUNTY HALL
	Pegs Lane
	Hertford, Herts
	SG13 8DN
	Phone: 01992 555555